

**5/2 fixed port configuration**

**Certification T6 (Tamb = -55°C to +50°C (-67°F to +122°F)) & T4 (Max ambient +90°C (+194°F)) or equipment must be used within 'T' class temp ranges shown.**

**EX II 2 GD - gas and dust environments.**

**Exd protection, gas group IIC.**

**Atex certification SIRA 05ATEX1156, complies with ATEX directive 94/9/EC**

**IECEX certification IECEX SIR 05.0029**

**Safety integrity level SIL 3 or SIL 4 (SIL 4 in a redundant configuration only)**

**Protection IP66/X8, NEMA 4X**



**Technical features**

**Max. inlet pressure:** 0-12 bar (0-174 psi)

**Flow rates:**

$C_v = 0.6$  USgpm for 1 psi  $\Delta p$

$K_v = 8.7$  l/min for 1 bar (15 psi)  $\Delta p$

**Temperature ratings:**

Media (min/max): -55°C/90°C (-67°F/194°F)

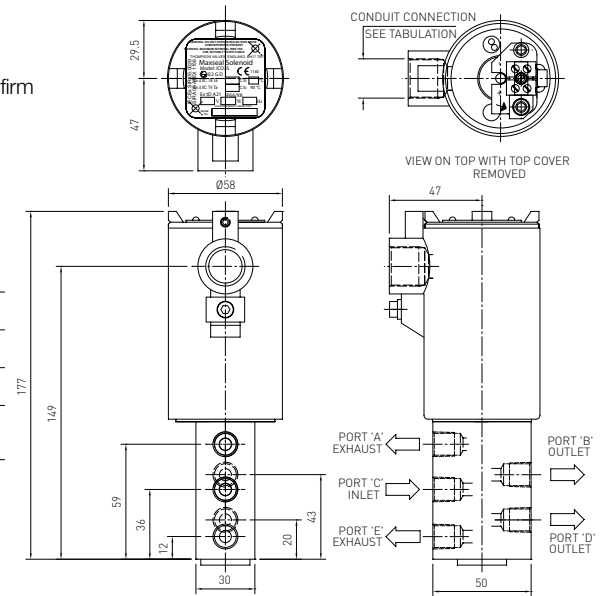
Ambient: must be used within 'T' class temperature ranges shown

**Port size:** 1/4"

**Conduit / Signal Conns:**

M20 x 1.5mm ISO (F)

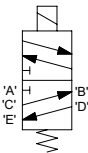
**Media:** Customer to specify and confirm compatibility



**Electrical information**

<b>Voltage (nominal)</b>	24V DC	<b>Pull-in Voltage</b>	>= 87.5% of nominal
<b>Response Times (Typ)</b>	<b>Pull-in</b> < 80 MS	<b>Drop Out</b> < 60 MS	<b>Drop-Out Voltage</b> 10 - 20% of nominal
<b>Voltage Protection</b>	Surge suppression diodes fitted as STD	<b>Coil Encapsulation</b>	Class H
<b>Leak Performance</b>	Bubble tight at -50 °C. <30cc/m at -55 °C.	<b>Coil Duty Cycle</b>	100%

**ICO3S 1/4" 5/2 12 BAR (174 PSI) AUTO**



**Process connections:**

NPT

**Weight:** 2.3 kg

**Operation:** Automatic

**Coil Rating:**

74 ohms

**Power Consumption:**

7.8 watts

**Materials:**

Valve body & trim - 316L stainless steel

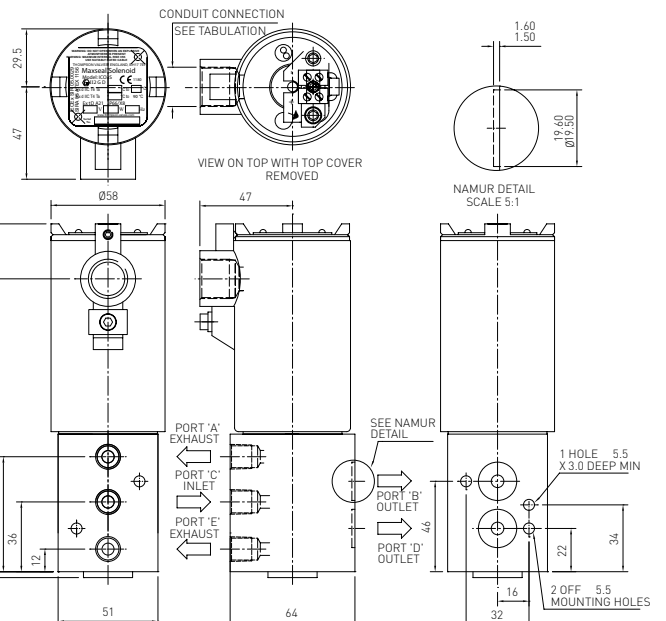
O-Rings seats & seals - nitrile

Paint finish - 316LSS coil housing - unpainted

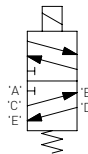
**Ordering information:**

Quote: Y015AA1H1BS

Options: None



**ICO3S 1/4"5/2 NAMUR 12 BAR (174 PSI) AUTO**



**Process connections:**

Namur mount with 1/4 NPT

**Weight:** 2.3 kg

**Operation:** Automatic

**Coil Rating:**

74 ohms

**Power Consumption:**

7.8 watts

**Materials:**

Valve body & trim - 316L stainless steel

O-Rings seats & seals - nitrile

Paint finish - 316LSS coil housing - unpainted

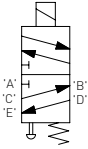
**Ordering information:**

Quote: Y015ANAH1BS

Options: Namur mount supplied with A4-70 mounting bolts and O-rings

Profile and dimensions mm

## ICO3S 1/4" 5/2 12 BAR (174 PSI) PBMO

**Process connections:**

NPT

**Weight:** 2.3 kg**Operation:** Push button manual override**Coil Rating:** 74 ohms**Power Consumption:**  
7.8 watts**Materials:**

Valve body &amp; trim - 316L stainless steel

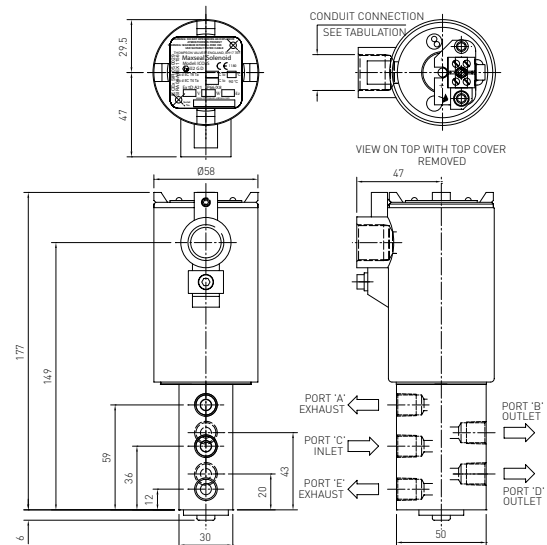
O-Rings seats &amp; seals - FKM

Paint finish - 316LSS coil housing - unpainted

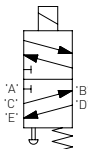
**Ordering information:**

Quote: Y015CA1V1BS

Options: None



## ICO3S 1/4" 5/2 12 BAR (174 PSI) PBMR

**Process connections:**

NPT

**Weight:** 2.5 kg**Operation:** Push button manual reset**Coil Rating:** 293 ohms**Power Consumption:**  
2 watts**Materials:**

Valve body &amp; trim - 316L stainless steel

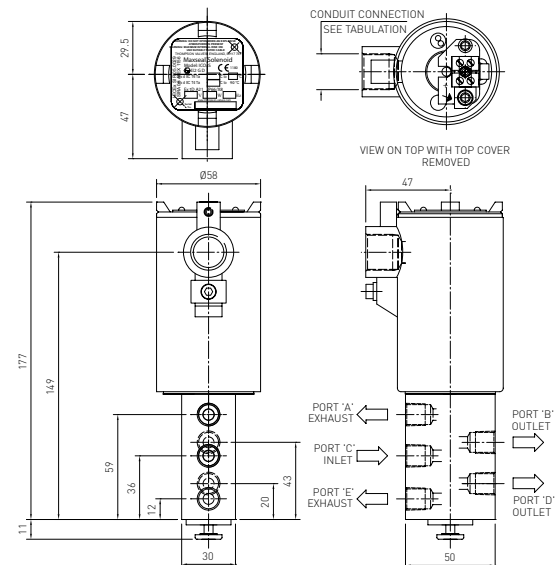
O-Rings seats &amp; seals - nitrile

Paint finish - 316LSS coil housing - unpainted

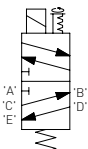
**Ordering information:**

Quote: Y015PA1H1BS

Options: None



## ICO3S 1/4" 5/2 NAMUR 12 BAR (174 PSI) JSMO

**Process connections:**

Namur Mount With 1/4 NPT

**Weight:** 2.3 kg**Operation:** Jackscrew manual override**Coil Rating:**  
74 ohms**Power Consumption:**  
7.8 watts**Materials:**

Valve body &amp; trim - 316L stainless steel

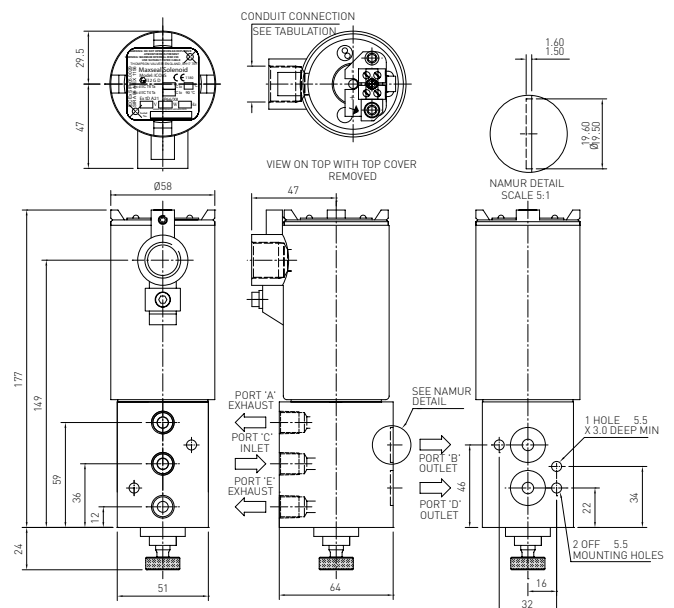
O-Rings seats &amp; seals - nitrile

Paint finish - 316LSS coil housing - unpainted

**Ordering information:**

Quote: Y015SNAH1BS

Options: None



Profile and dimensions mm